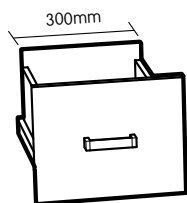


# BA1-M/W

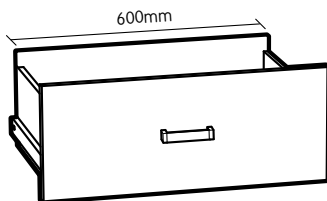
# BA2-M/W

# BA3-M/W

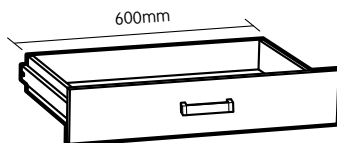
## Base Accessories Drawers



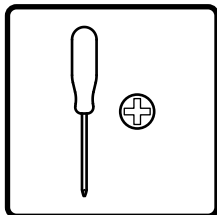
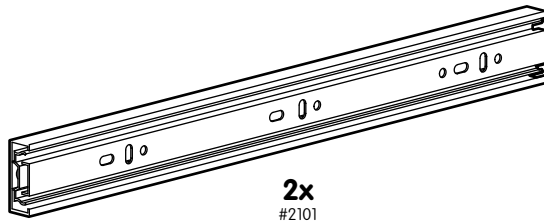
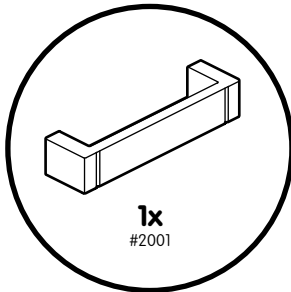
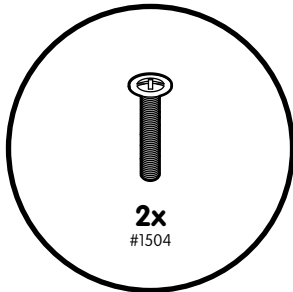
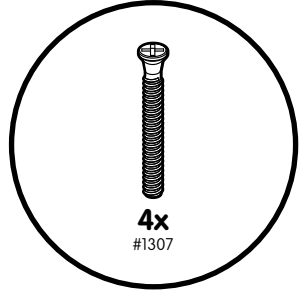
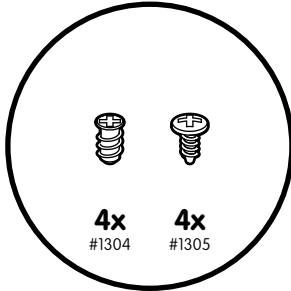
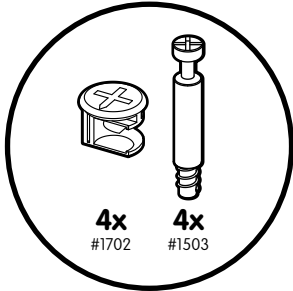
BA1-M/W



BA2-M/W



BA3-M/W

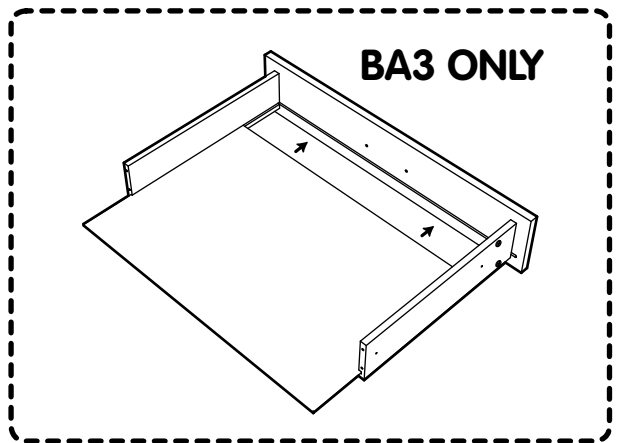
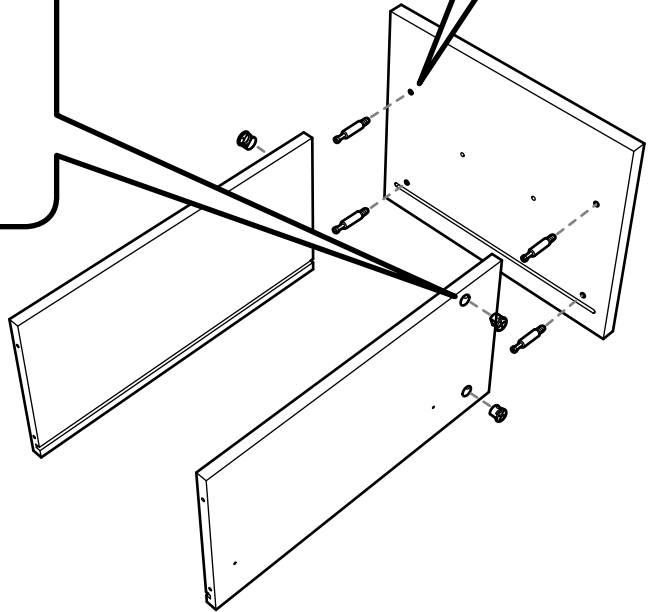
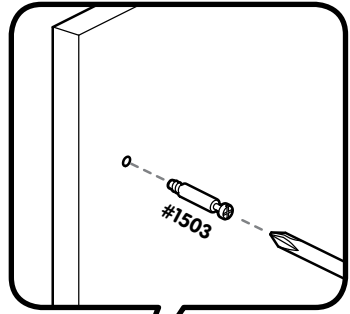
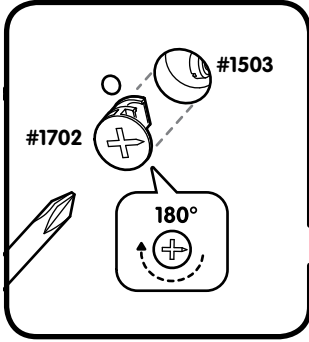


**!** **WARNING: CHOKING HAZARD** - Small Parts. Not for Children Under 3yrs

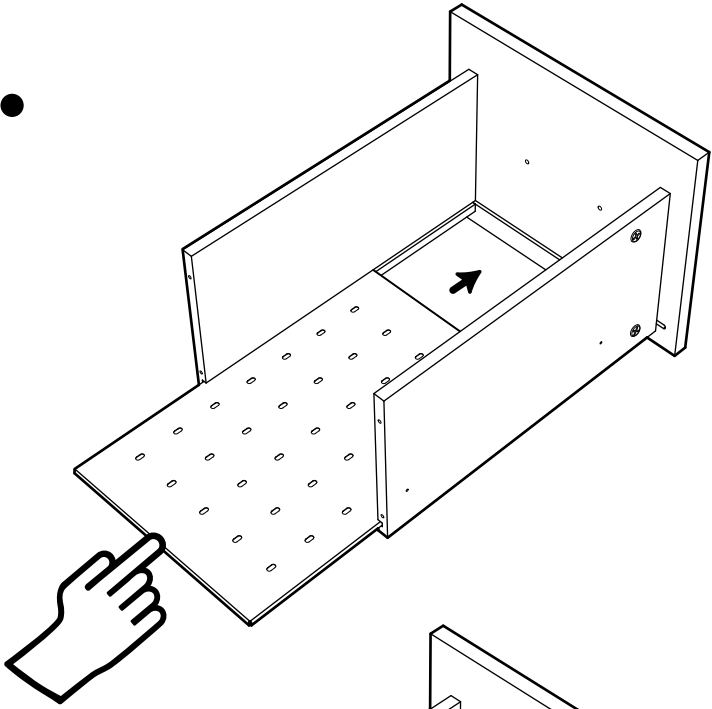
**For more information:** [www.getsortedstorage.com](http://www.getsortedstorage.com)

Page.2

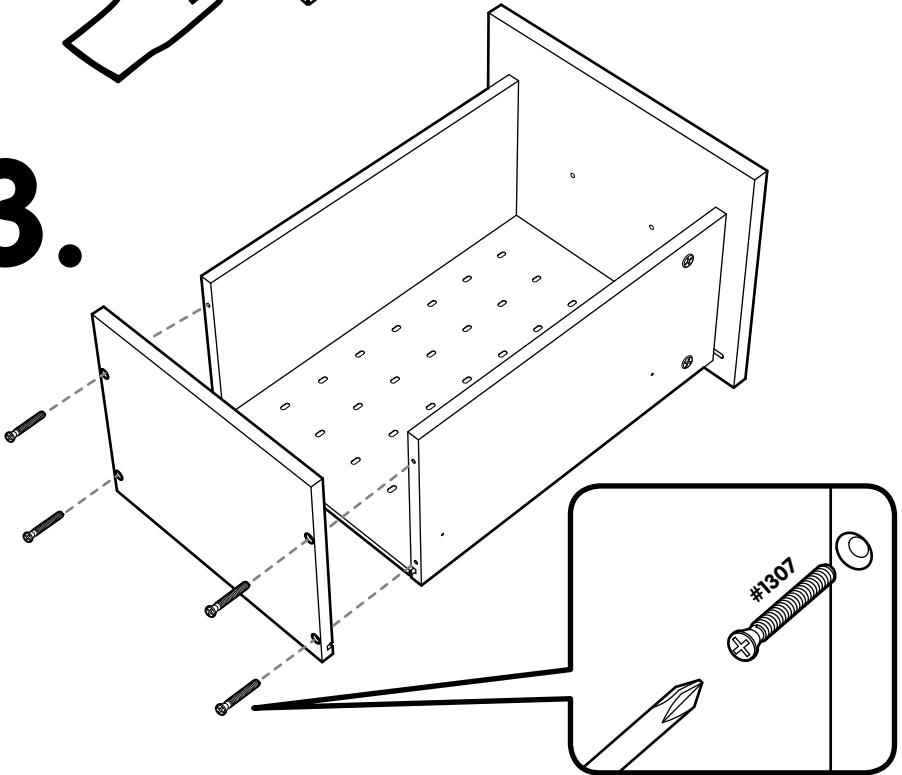
# 1.



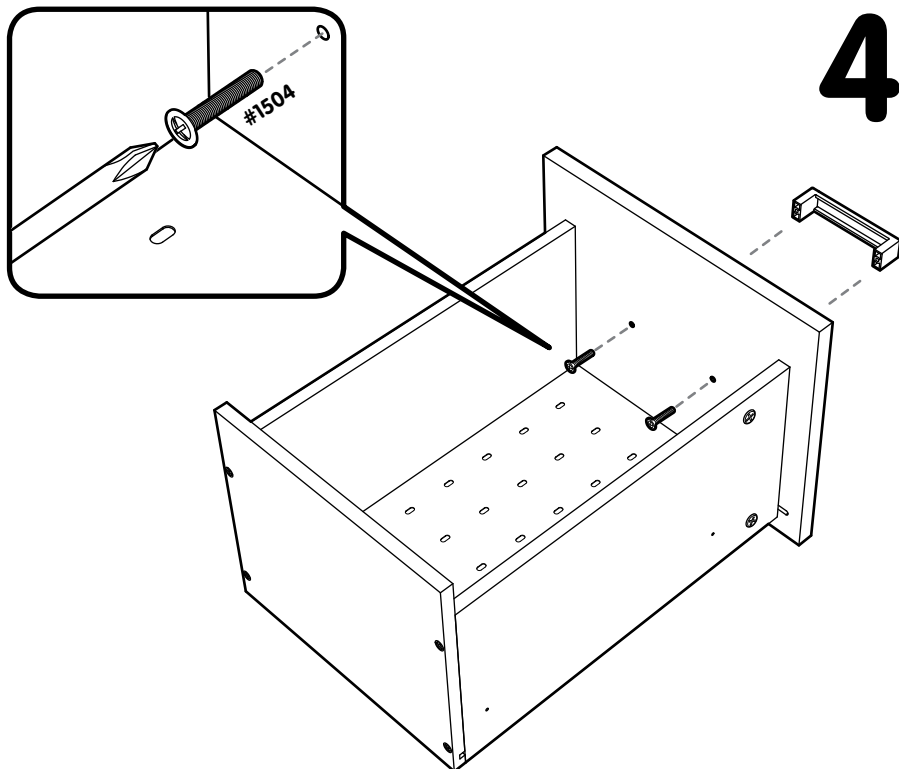
# 2.



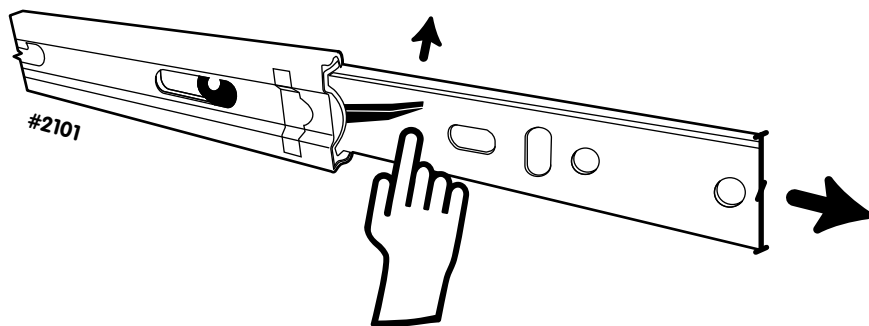
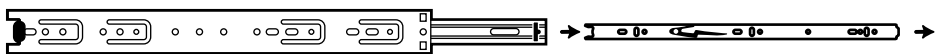
# 3.



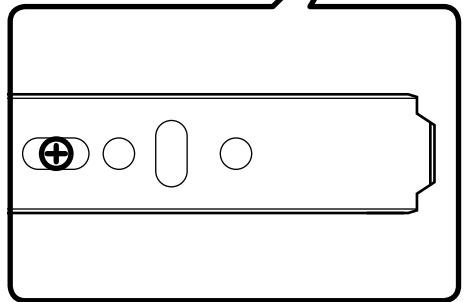
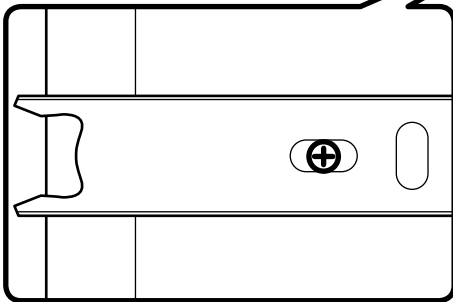
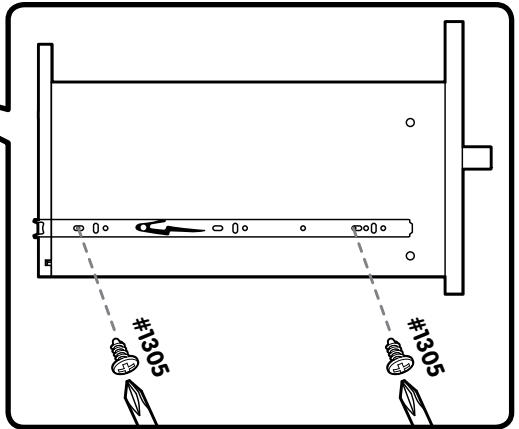
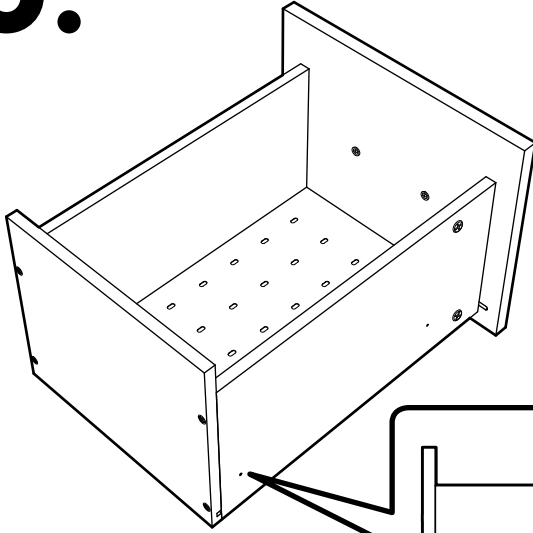
# 4.



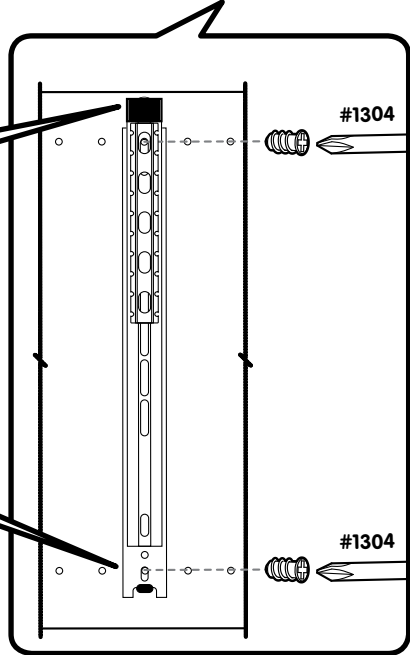
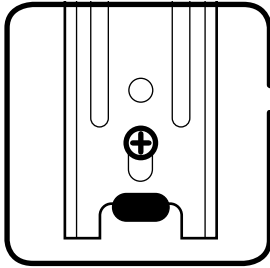
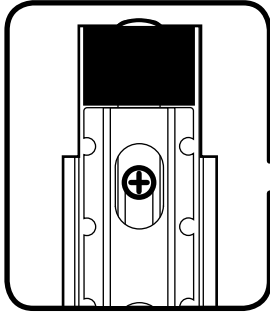
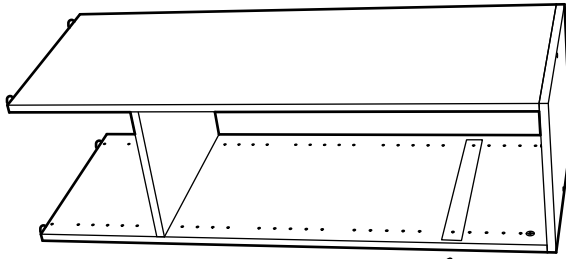
# 5.



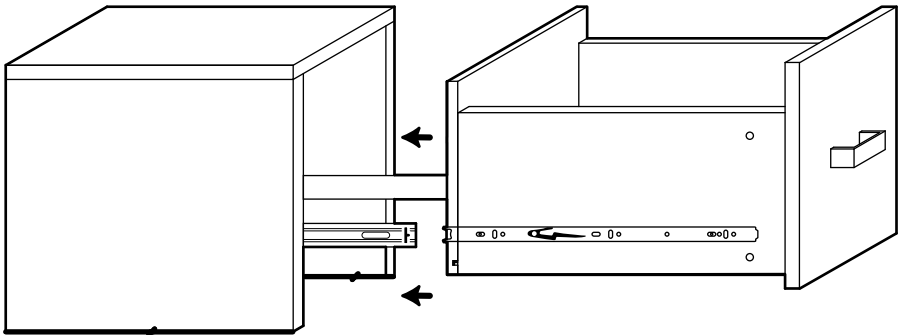
# 6.



# 7.



# 8.



# 9.

